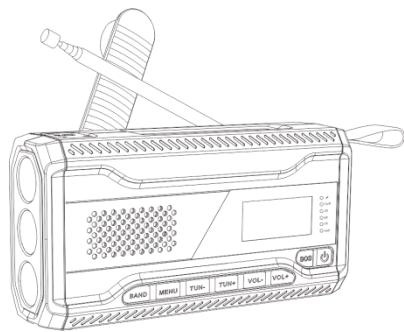


## User Manual

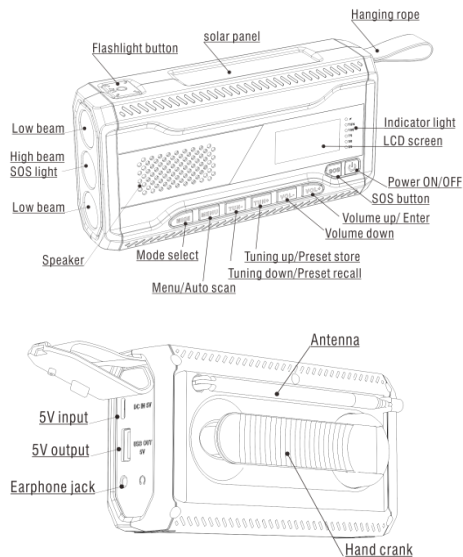
### Multi-Function Emergency crank radio

#### DAB/FM/Wireless speaker/LED light

Model: WR-6D





## Quickly guide



## Fuctions

- DAB radio operation
- FM radio operation
- Wireless speaker operation
- Menu setup
- Indicator light
- Flashlight
- Charge external devices
- Power the radio
- Earphone Jack
- SOS alarm
- Specification

## DAB radio operation

- Press and hold button [  ] 3 second to turn on the radio enter standby mode, screen will display date and clock .
- Press the button [  ] again to turn on the radio
- Press the button [ **MODE** ] to select DAB mode
- In DAB mode, Long press [ **MENU** ] button to scan all DAB stations, short press [ **TUN+** ] or [ **TUN-** ] to change station.
- Long press [ **TUN+** ] store the playing station in preset list,press [ **TUN+/TUN-** ] to select the address. there are 30 preset address to select, press [ **VOL+** ] to save your select.
- Long press [ **TUN-** ] to recall the preset stations, press

[ **TUN+/TUN-** ] to select station name ,press [ **VOL+** ] to confirm your choice.

- Press [ **MENU** ] enter DAB menu setting.

## FM radio operation

- Press the button [ **MODE** ] to select FM mode
- In FM mode, Long press [ **MENU** ] button to scan all FM stations and store in preset list, only first 30 stations will be saved,if you want to save other stations, you need to manually replace the stations you don't like.
- Long press [ **TUN-** ] to recall the preset stations, press [ **TUN+/TUN-** ] to select. press [ **VOL+** ] to confirm.
- Press [ **TUN+/TUN-** ] manually tuning by 0.05MHz step.
- Long press [ **TUN+** ] store the playing station in preset list, press [ **TUN+/TUN-** ] to select the address. Press [ **VOL+** ] to add or replace.
- Press [ **MENU** ] enter FM menu setting.

## Wireless(BT) streaming play operation

- Press the button [ **MODE** ] to select BT mode
- Use your smart phone Bluetooth to search “ WR-6” and paired
- Press [ **TUN+/TUN-** ] to change the songs

## Menu setup

- In menu setting, you can set date/time, Brightness, sleep time, OSD language. Press [ **VOL+** ] select
- The date/time will automatically updated when the DAB signal is in service

## Indicator light

- Up to down : charging indicator, Signal indicator,Battery power indicator(100%-25%)
- Charging indicator: the [ ⚡ ] charging indicator light will flash red when the crank generator charging the battery inside. (the charging indicator light will changes with the charging current)
- Battery power indicator: the light will flash blue when charging or discharging. When the battery level exceed 25%,the first blue light(25% position) change from a flashing blue light to a constant blue light,then the second light (50% position) will flashing blue light,And so on until the battery fully charge. When the charge is full, pull out the type-C usb cable, the light will turn blue 30's ,then off.

## Flashlight

The flashlight has one high beam and two low beam, when radio is working, press **[light]** button once turn on high beam, press again turn on low beam, once more press turn on all flashlight,another press to turn off the flashlight.  
**Note:** To use the flashlight when radio is OFF, press and hold **[light]** button 3 seconds to activate the flashlight.

## Charge external device

Insert the USB cable into the USB port on the side of the radio and connect to the others devices. The radio will go into charge mode and help to charge your device.

### Note:

- This feature is only for charging the USB devices during emergency or outdoors, don't use it as a normal power bank
- When the radio fully charged,it can support 2A charger for most of device.

## Power the radio

Before powering the radio,make sure you read the safety instructions.

### (A) By USB power source

- To charge the radio, insert the supplied USB cable into the USB power source, Plus the type-C connector into the input port on the side of the radio.
- The battery power indicator lights will flash blue as the battery charges,then pull out the Type-C USB cable when the battery is fully charged. The power indicator light will turn blue 30's ,then off, which typically takes 2-3 hours.

It's advised to turn off the radio when the device is being charged.

### (B) Hand crank dynamo

The radio also be charged by turning the handle on the back of the device and activating dynamo

- The handle can be turned either clockwise or anticlockwise. The [ ⚡ ] charging indicator light up when the handle is being turned
- Spin the handle for 3-5 minutes at the speed of 130-150PPM when using the for the first time. Two

minute of turning give 10 minutes of radio play or 30 minutes of light.

### (C) Solar powered

The radio also be charged by the solar panel on the top of the device,try to place the device in clear sunlight to let it charges as efficiently as possible

- The charging effect depends on the strength of the sun's rays,The stronger the light, the better the effect.
- Kindly remind that if's difficult to fully charge the unit with the solar panel, which is mostly used for maintaining the battery

## Earphone jack

You can insert the 3.5mm earphone jack to enjoy leisure time listening to the radio

## SOS alarm

If you press and hold the SOS button at this time, the alarm sound will still be emitted from the speaker ,At the same time, the flashlight flashes SOS Morse code signal.

## Safety instructions

- When radio first used or sits idle for more than 60 days, please place under strong solar light (>86000LUX) for 30 minutes or hand crank for one minute to active the battery.
- When using this machine, please do not over discharge, so as not to reduce the service life of the battery in the machine,or even damage the rechargeable battery.

- To clean radio surface use a soft,damp cloth,Do not use alcohol or other liquids containing corrosive ingredients to clean this product
- Unit is not waterproof,only anti fog or raindrop. Do not submerge in water.

## Specifications

DAB radio	170-240MHz
FM radio	87.5-108MHz
Wireless(BT)	Version 5.0
Speaker	Max 2w
Display	LCD screen
Battery	Rechargeable
Input	5V 2A
Output	5V 2A (max)
Working	2.9-4.2V
Flashlight	3W
Antenna	57 cm extend
Item size	150*75*50mm
Item weight	300g

## Packing list

- Radio X 1
- User manual X 1
- Type-C cable X 1