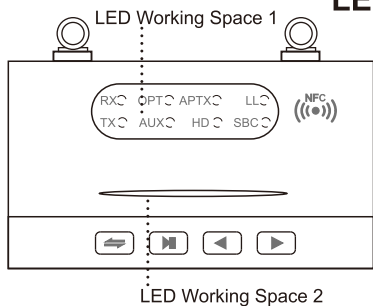


Optical Wireless Audio Transceiver & Adapter Quick User Guide



LED Indications

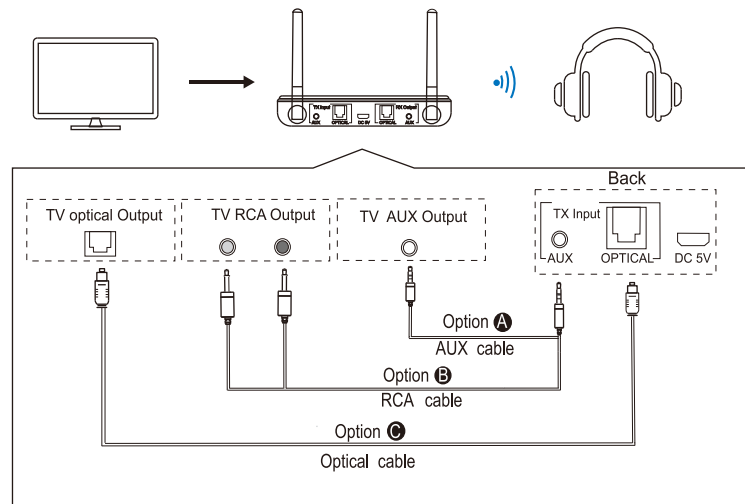


Indicator	Status
RX	In receiving mode
TX	In transmitting mode
OPT or AUX only	In Bypass mode
OPT	In SPDIF audio mode
AUX	In AUX audio mode
APTX, LL, HD, SBC	Audio CODEC is in aptX, aptX Low Latency, aptX HD, SBC

Indicator	Status
Blue Flash	Flashes on and off quickly to indicate pairing mode. Flashes for every 2 seconds to indicate standby mode. Double click (⏸) to enter pairing mode.
Blue On	The device has been successfully connected.
Green On	The transceiver connects two Bluetooth devices.
Red On	The device is in the charging state, it automatically turns off after being fully charged
Red Flash	Flashes to indicate the device is in low battery. Charging can release the alarm

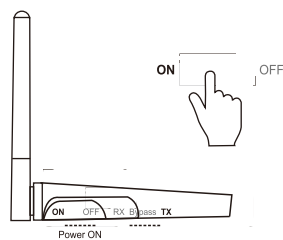
As a wireless Transmitter (TX mode)

1 Connect audio source(TV,DVD, etc.) to BTMAGIC device from TV port with the audio cables provided(optical or AUX/RCA).

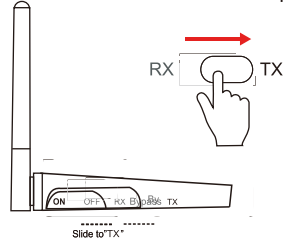


2 Power ON/Choose Mode

Slide Power switch to the "ON"position



Slide Mode switch to the "TX"position



3 Pair and connected

- Bluetooth headphone is on pairing status
- Double-click the search button on the device to enter pairing status (blue light of LED working space flashes rapidly)
- Connected. (The blue light of the LED working space is always on)

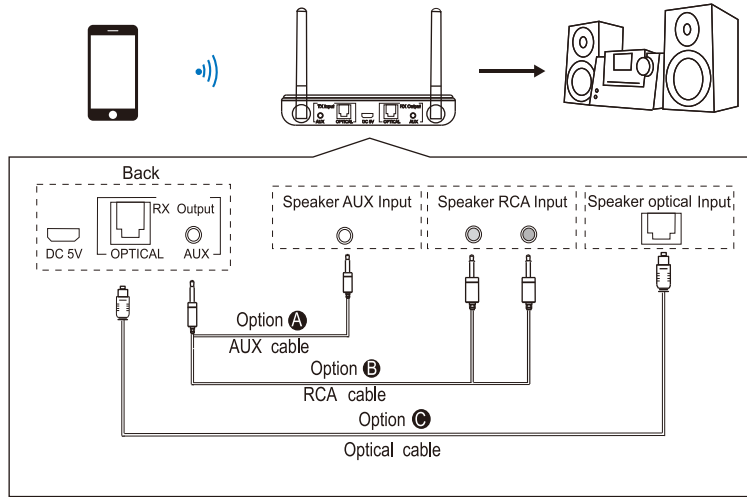


4 Enjoy



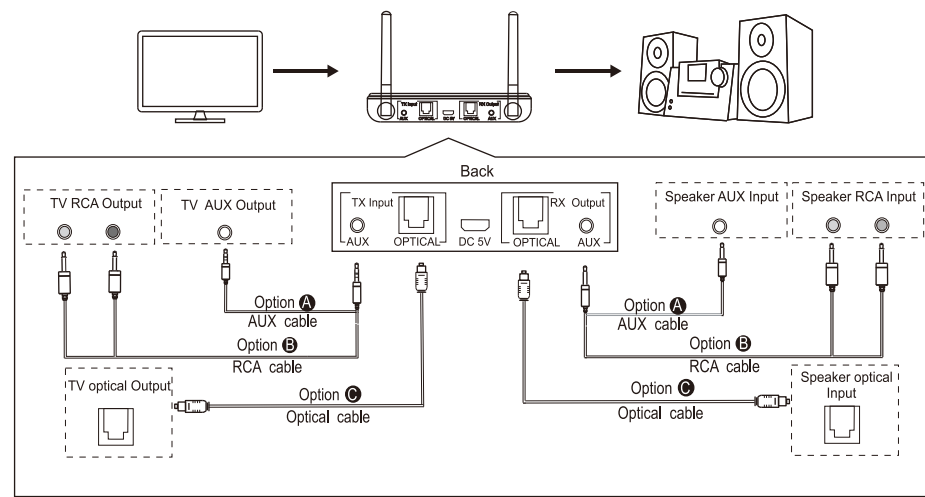
As a Wireless Receiver (RX mode)

- 1 Connect your speaker to BTMAGIC device to speaker port with the audio cable provided (optical or Aux/RCA)



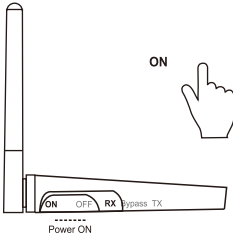
Bypass mode (Non-bluetooth)

- 1 Connect the cable of audio source(TV,DVA,etc.) to the "TX Input" port on the BTMAGIC device. Connect the speaker cable to the "RX Output" port on the BTMAGIC device.

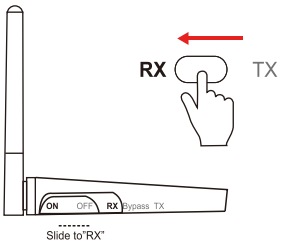


2 Power ON/Choose Mode

Slide Power switch to the "ON"position



Slide Mode switch to the "RX"position

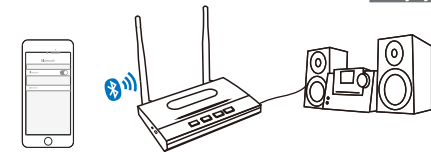


3 Pair

- Double-click the search button on the device to enter fast pairing status
- Open the phone bluetooth function, click to search the bluetooth device, select and click to connect the device name "BT-B22" in the bluetooth list
- Connected. (The blue light of the LED working space is always on)

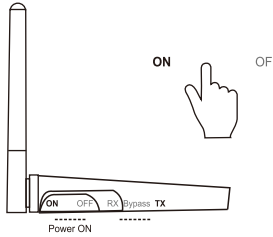


4 Enjoy

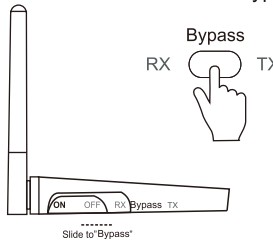


2 Power ON/Choose Mode

Slide Power switch to the "ON"position

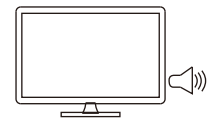


Slide Mode switch to the "Bypass"position



3 Setting

Switch the TV output mode to external speakers. AUX test with earphones.



4 Enjoy

